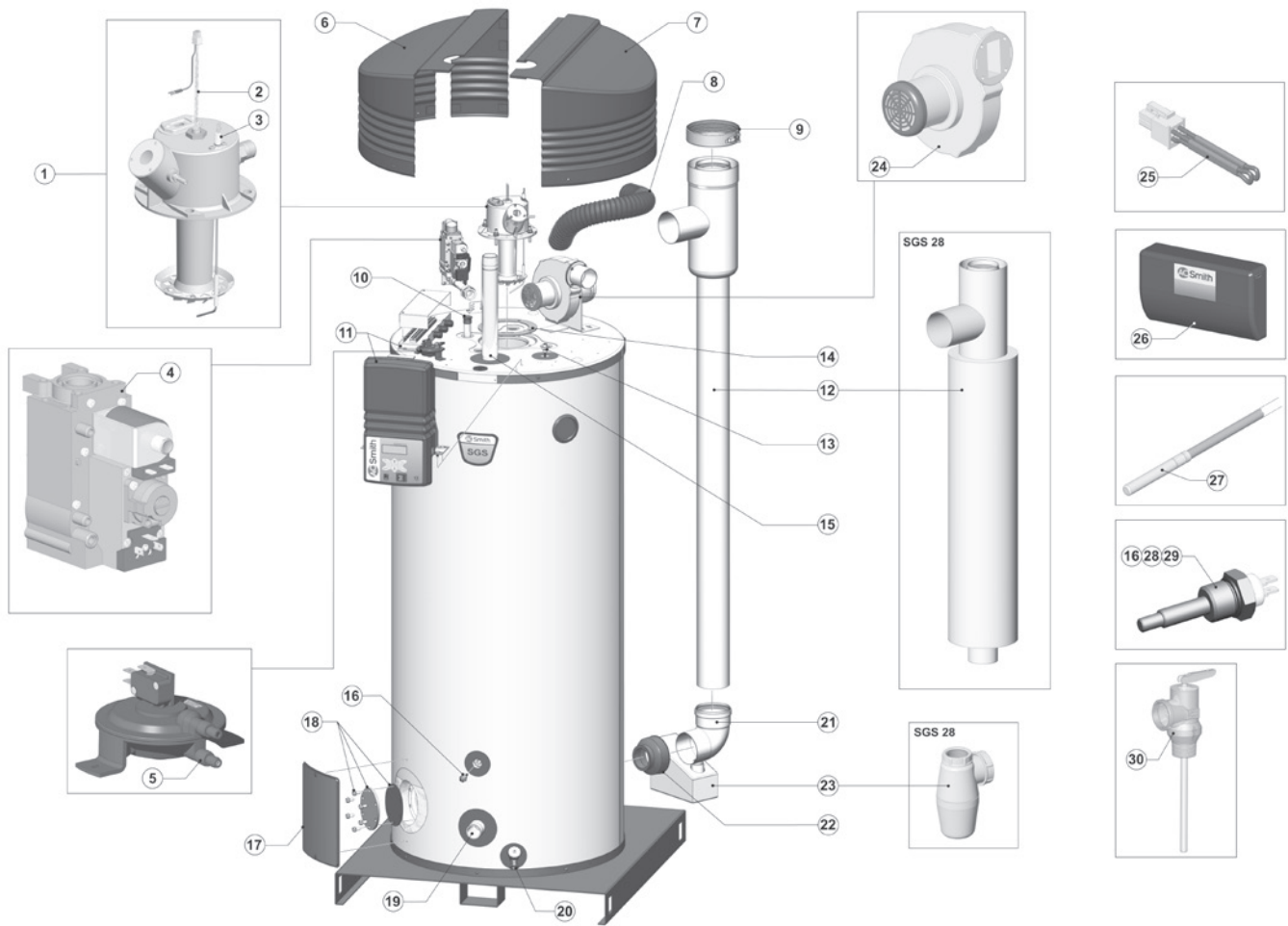


Exploded view SGS 28-60 tot 07-09-'09



EVD-0046

# SGS 28-60 tot 07-09-'09

## SGS onderdelen

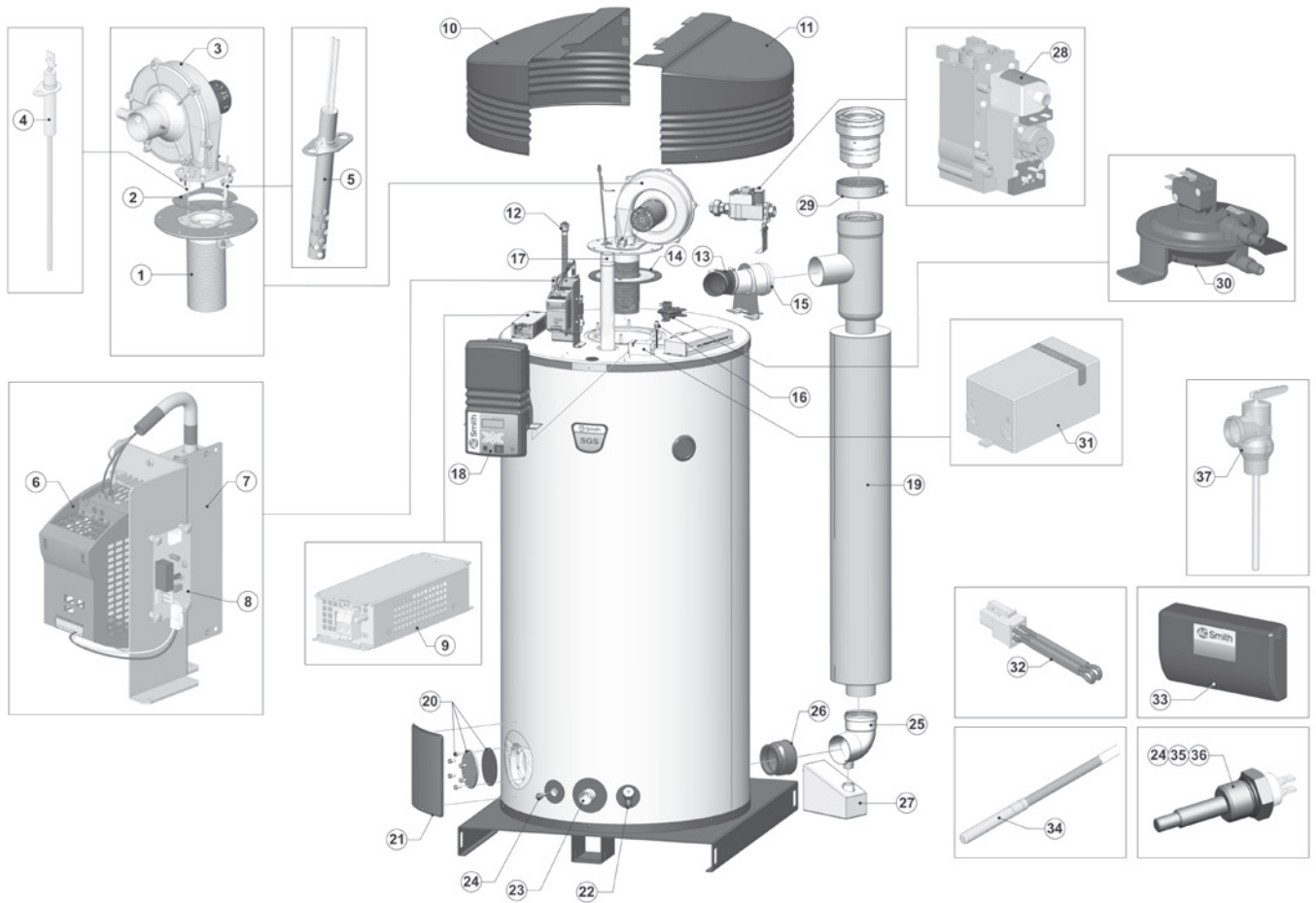


| Nr | omschrijving  | datum                            | 28                                    | 30                                    | 50                                    | 60                                      |
|----|---|----------------------------------|---------------------------------------|---------------------------------------|---------------------------------------|---|
| 1  | Brander   |                                  | n.b.                                  | n.b.                                  | n.b.                                  | n.b.                                    |
| 2  | Gloeiontsteker                                      |                                  | 0304079(S)                            | 0304079(S)                            | 0304079(S)                            | 0304079(S)                              |
| 3  | Ionisatiepen  |                                  | 0192478(S)                            | 0192478(S)                            | 0192478(S)                            | 0192478(S)                              |
| 4  | Gasblok   |                                  | 0301099(S)                            | 0301099(S)                            | 0301099(S)                            | 0301100(S)                              |
| 5  | Luchtdrukverschilskakelaar                          | tot 16-11-'08<br>vanaf 16-11-'08 | 0305003(S)<br>0309235(S)              | 0305004(S)<br>0305004(S)              | 0305005(S)<br>0305005(S)              | 0305006(S)<br>0305006(S)                |
| 8  | Luchttoevoerslang                                   |                                  | 0304035(S)                            | 0304035(S)                            | 0304035(S)                            | 0304035(S)                              |
| 9  | Klemstrip   |                                  | 0305027(S)                            | 0304199(S)                            | 0304199(S)                            | 0304199(S)                              |
| 10 | Anode<br>Flexibele anode                            |                                  | 0183463039(S) (4x)<br>0304728(S) (4x) | 0183463050(S) (4x)<br>0304728(S) (4x) | 0183463050(S) (4x)<br>0304728(S) (4x) | 0183463050(S) (4x)<br>0304728(S) (4x)11 |
| 11 | Service kit besturing toestel (incl. kabelboom)     |                                  | 0308882(S)                            | 0308882(S)                            | 0308882(S)                            | 0308882(S)                              |
| 12 | Broekstuk demper                                    |                                  | 0304987(S)                            | 0304683(S)                            | 0304683(S)                            | 0304683(S)                              |
| 13 | Temperatuursensor T2 (top tank)                     |                                  | 0304469(S)                            | 0304469(S)                            | 0304469(S)                            | 0304469(S)                              |
| 14 | Pakking brander/tank                                |                                  | 0192331(S)                            | 0192331(S)                            | 0192331(S)                            | 0192331(S)                              |
| 15 | Warmwateruitlaat nippel                             |                                  | 0304017(S)                            | 0304017(S)                            | 0304017(S)                            | 0304017(S)                              |
| 16 | Temperatuursensor T1 (bodem tank)                   |                                  | 0308149(S)                            | 0308149(S)                            | 0308149(S)                            | 0308149(S)                              |
| 17 | Afdekplaat reinigingsopening                        |                                  | 0039137002/24(S)                      | 0039137002/24(S)                      | 0039137002/24(S)                      | 0039137002/24(S)                        |
| 18 | Reinigingsopening set                               |                                  | 0305082(S)                            | 0305082(S)                            | 0305082(S)                            | 0305082(S)                              |
| 19 | Koudwatertoevoer nippel                             |                                  | 0070615(S)                            | 0070615(S)                            | 0070615(S)                            | 0070615(S)                              |
| 20 | Aftapkraan  |                                  | 0026273004(S)                         | 0026273004(S)                         | 0026273004(S)                         | 0026273004(S)                           |
| 21 | Bocht   |                                  | 0304986(S)                            | 0304029(S)                            | 0304029(S)                            | 0304029(S)                              |
| 22 | Verloopsok  |                                  | 0304984(S)                            | 0192636(S)                            | 0192636(S)                            | 0192636(S)                              |
| 23 | Sifon   |                                  | 0304988(S)                            | 0306181(S)                            | 0306181(S)                            | 0306181(S)                              |
| 24 | Ventilator  |                                  | 0304104(S)                            | 0304104(S)                            | 0304104(S)                            | 0304104(S)                              |
| 25 | Rookgassensor                                       |                                  | 0304301(S)                            | 0304301(S)                            | 0304301(S)                            | 0304301(S)                              |
| 26 | Service Kit Besturing Zonnesysteem                  |                                  | 0308874(S)                            | 0308874(S)                            | 0308874(S)                            | 0308874(S)                              |
| 27 | Temperatuursensor S1 (in zonnecollector)            |                                  | 0308904(S)                            | 0308904(S)                            | 0308904(S)                            | 0308904(S)                              |
| 28 | Temperatuursensor S2 (bodem voorraadvat - ww)       |                                  | 0308149(S)                            | 0308149(S)                            | 0308149(S)                            | 0308149(S)                              |
|    | Q/T Sensor service kit only Sensor, O-ring and Clip |                                  | 0313621(S)                            | 0313621(S)                            | 0313621(S)                            | 0313621(S)                              |

## SGS accessoires

| omschrijving                             | datum | 28            | 30            | 50            | 60            |
|--|-------|---------------|---------------|---------------|---------------|
| Gaskraan                                 |       | 0300719(S)    | 0300719(S)    | 0300719(S)    | 0300719(S)    |
| Inlaatcombinatie G1"                     |       | 0070066003(S) | 0070066003(S) | 0070066003(S) | 0070066003(S) |
| Overstortventiel 1/2" 8 bar              |       | 0305712(S)    | 0305712(S)    | 0305712(S)    | 0305712(S)    |
| T&P ventiel                              |       | 0099383005(S) | 0099383005(S) | 0099383005(S) | 0099383005(S) |
| Verlengnippel t.b.v. T&P                 |       | 0306713(S)    | 0306713(S)    | 0306713(S)    | 0306713(S)    |
| Verloop Rp1½ x 22                        |       | 0309411(S)    | 0309411(S)    | 0309411(S)    | 0309411(S)    |
| Verloop Rp1½ x 28                        |       | 0309412(S)    | 0309412(S)    | 0309412(S)    | 0309412(S)    |
| Verloop Rp1½ x 35                        |       | n.b.          | n.b.          | n.b.          | n.b.          |
| Gecombineerde Flow- en Temperatuursensor |       | 0309285(S)    | 0309285(S)    | 0309285(S)    | 0309285(S)    |
| Dummy (vervangend van collectoren)       |       | 0309152(S)    | 0309152(S)    | 0309152(S)    | 0309152(S)    |
| Scheidingstrafo                          |       | 0306054(S)    | 0306054(S)    | 0306054(S)    | 0306054(S)    |
| Power anode set                          |       | 0309216(S)    | 0309217(S)    | 0309217(S)    | 0309217(S)    |

Exploded view SGS 80-100 tot 07-09-'09



EVD-0047

# SGS 80-100 tot 07-09-'09

## SGS onderdelen

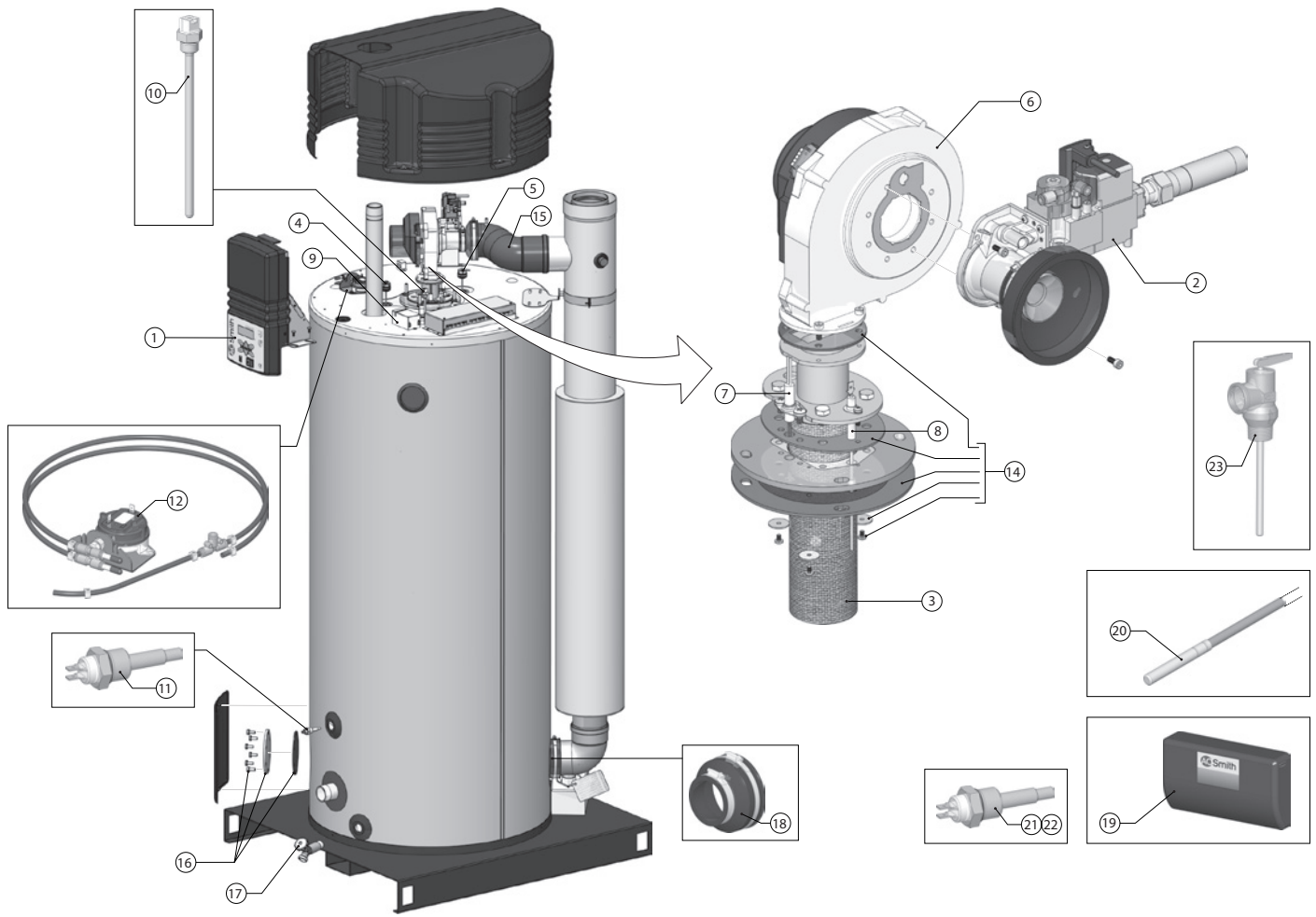


| Nr | omschrijving  | datum                            | 80                       | 100                      |
|----|---|----------------------------------|--------------------------|--------------------------|
| 1  | Brander   |                                  | 0197315(S)               | 0197315(S)               |
| 2  | Pakking ventilator/brander                          |                                  | 0308202(S)               | 0308202(S)               |
| 3  | Ventilator  |                                  | 0197322(S)               | 0197322(S)               |
| 4  | Ionisatiepien                                       |                                  | 0194776002(S)            | 0194776002(S)            |
| 5  | Gloeiontsteker                                      | tot 18-01-'09<br>vanaf 18-01-'09 | 0308204(S)<br>0309065(S) | 0308204(S)<br>0309065(S) |
| 6  | Frequentieregelaar                                  |                                  | 0305805(S)               | 0305805(S)               |
| 7  | EMC-Filter  |                                  | 0305806(S)               | 0305806(S)               |
| 8  | Interface printplaat                                |                                  | 0307490(S)               | 0307490(S)               |
| 9  | Netsmoorspoel                                       |                                  | 0306690(S)               | 0306690(S)               |
| 10 | Kap links   |                                  | n.b.                     | n.b.                     |
| 11 | Kap rechts  |                                  | n.b.                     | n.b.                     |
| 12 | Power anode   |                                  | 0302757(S)               | 0302757(S)               |
| 13 | Luchttoevoerslang                                   |                                  | 0305504(S)               | 0305504(S)               |
| 14 | Pakking brander/tank                                |                                  | 0308266(S)               | 0308266(S)               |
| 15 | Steun rookgasafvoerpijp                             |                                  | n.b.                     | n.b.                     |
| 16 | Temperatuursensor T2 (top tank)                     |                                  | 0304469(S)               | 0304469(S)               |
| 17 | Warmwateruitlaat nippel                             |                                  | 0304017(S)               | 0304017(S)               |
| 18 | Service Kit Besturing Toestel                       |                                  | 0308943(S)               | 0308943(S)               |
| 19 | Rookgasafvoerpijp met demper                        |                                  | 0304683(S)               | 0304683(S)               |
| 20 | Reinigingsopening set                               |                                  | 0305082(S)               | 0305082(S)               |
| 21 | Afdekplaat reinigingsopening                        |                                  | 0039137002/24(S)         | 0039137002/24(S)         |
| 22 | Aftapkraan  |                                  | 0026273004(S)            | 0026273004(S)            |
| 23 | Koudwatertoevoer nippel                             |                                  | 0070615(S)               | 0070615(S)               |
| 24 | Temperatuursensor T1 (bodem tank)                   |                                  | 0308149(S)               | 0308149(S)               |
| 25 | Bocht   |                                  | 0304029(S)               | 0304029(S)               |
| 26 | Verloopsok  |                                  | 0308196(S)               | 0308196(S)               |
| 27 | Sifon   |                                  | 0306181(S)               | 0306181(S)               |
| 28 | Gasblok   |                                  | 0306189(S)               | 0306189(S)               |
| 29 | Klemstrip   |                                  | 0304199(S)               | 0304199(S)               |
| 30 | Luchtdrukschakelaar                                 |                                  | 0308271(S)               | n.b.                     |
| 31 | Potentiostaat                                       |                                  | 0306160(S)               | 0306160(S)               |
| 32 | Rookgassensor                                       |                                  | 0304301(S)               | 0304301(S)               |
| 33 | Service Kit Besturing Zonnestelsysteem              |                                  | 0308874(S)               | 0308874(S)               |
| 34 | Temperatuursensor S1 (in zonnecollector)            |                                  | 0308904(S)               | 0308904(S)               |
| 35 | Temperatuursensor S2 (bodem voorraadvat - ww)       |                                  | 0308149(S)               | 0308149(S)               |
| 36 | Temperatuursensor S3 (top voorraadvat)              |                                  | 0308149(S)               | 0308149(S)               |
| 37 | Temperatuur- en drukventiel 3/4"                    |                                  | 0076527004(S)            | 0076527004(S)            |
|    | Q/T Sensor Service Kit only Sensor, O-ring and Clip |                                  | 0313621(S)               | 0313621(S)               |

## SGS accessoires

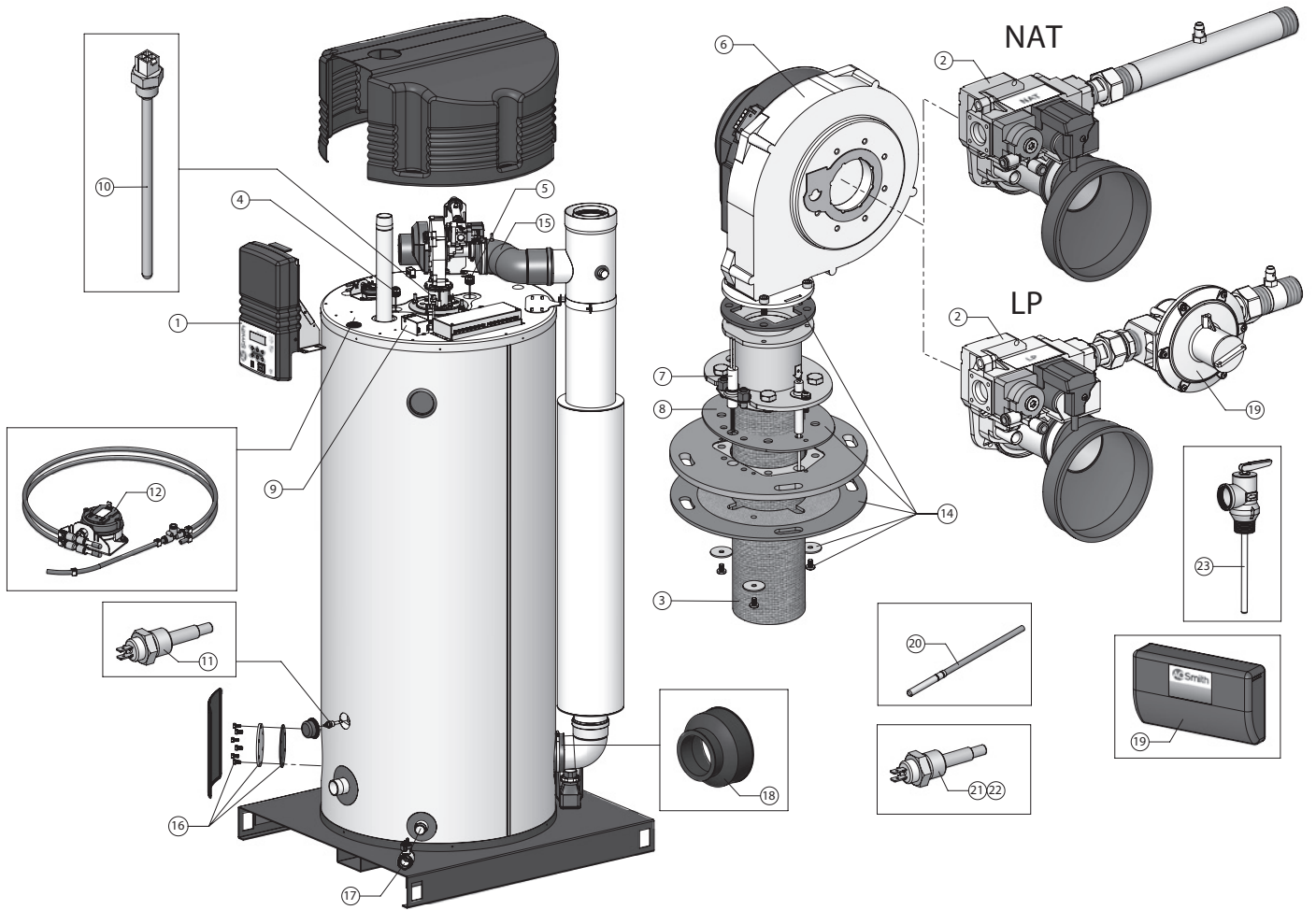
| omschrijving                             | datum | 80            | 100           |
|--|-------|---------------|---------------|
| Scheidingstransformator set              |       | 0306054(S)    | 0306054(S)    |
| Alternatieve storingsuitgang             |       | 0306056(S)    | 0306056(S)    |
| Gaskraan                                 |       | 0300719(S)    | 0300719(S)    |
| Inlaatcombinatie G1"                     |       | 0070066003(S) | 0070066003(S) |
| Overstortventiel 1/2" 8 bar              |       | 0305712(S)    | 0305712(S)    |
| T&P ventiel                              |       | 0099383005(S) | 0099383005(S) |
| Verloop Rp1½ x 22                        |       | 0309411(S)    | 0309411(S)    |
| Verloop Rp1½ x 28                        |       | 0309412(S)    | 0309412(S)    |
| Verloop Rp1½ x 35                        |       | n.b.          | n.b.          |
| Gecombineerde Flow- en Temperatuursensor |       | 0309285(S)    | 0309285(S)    |
| Dummy (vervanging van collectoren)       |       | 0309152(S)    | 0309152(S)    |

Exploded view SGS 28-60 van 07-09-'09 tot 03-02-'13



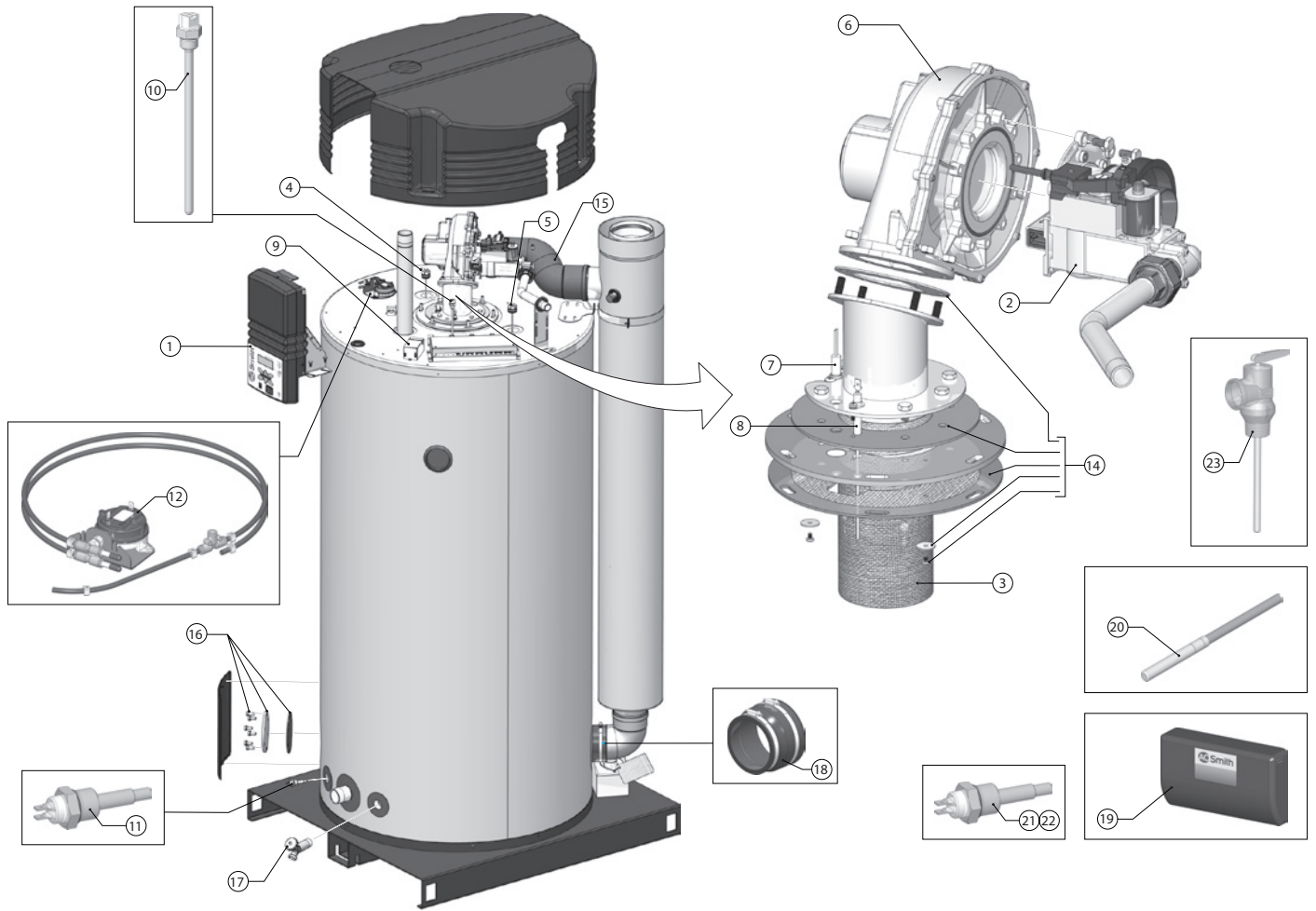
EVD-0054 R0

Exploded view SGS 28-60 vanaf 04-02-'13



EVD-0054 R1

# Exploded view SGS 80-120 vanaf 07-09-'09



EVD-0055



# SGS 28-120 vanaf 07-09-'09

## SGS onderdelen

| nr           | omschrijving   | datum           | 28            | 30            | 50            | 60            | 80            | 100           | 120           |
|--------------|--|-----------------|---------------|---------------|---------------|---------------|---------------|---------------|---------------|
| 1            | Besturing  | tot 28-07-'13   | 0309362(S)    | 0309362(S)    | 0309362(S)    | 0309362(S)    | 0309362(S)    | 0309362(S)    | 0309362(S)    |
|              |  | vanaf 29-07-'13 | 0311159(S)    | 0311159(S)    | 0311159(S)    | 0311159(S)    | 0311159(S)    | 0311159(S)    | 0311159(S)    |
| 2            | Gasblok (NAT)  | tot 03-02-'13   | 0310186(S)    | 0310186(S)    | 0310186(S)    | 0310186(S)    | -             | -             | -             |
|              |  | vanaf 04-02-'13 | 0310155(S)    | 0310155(S)    | 0310155(S)    | 0310155(S)    | -             | -             | -             |
|              |  | -               | -             | -             | -             | 0309167(S)    | 0309167(S)    | 0309167(S)    |               |
|              |  | -               | -             | -             | -             | 0309168(S)    | 0309168(S)    | 0309168(S)    |               |
| Gasblok (LP) | tot 03-02-'13  | 0310188(S)      | 0310188(S)    | 0310188(S)    | 0310188(S)    | -             | -             | -             |               |
|              | vanaf 04-02-'13  | 0310157(S)      | 0310157(S)    | 0310157(S)    | 0310157(S)    | -             | -             | -             |               |
| 3            | Brander  |                 | 0309297(S)    | 0309297(S)    | 0309297(S)    | 0309297(S)    | 0309125(S)    | 0309125(S)    | 0309125(S)    |
| 4            | Power anode  |                 | -             | 0197709(S)    | 0197709(S)    | 0197709(S)    | 0197709(S)    | 0197709(S)    | 0197709(S)    |
| 5            | Power anode  |                 | 019771002(S)  | 0197710(S)    | 0197710(S)    | 0197710(S)    | 0197710(S)    | 0197710(S)    | 0197710(S)    |
| 6            | Ventilator   |                 | 0309159(S)    | 0309159(S)    | 0309159(S)    | 0309159(S)    | 0309119(S)    | 0309119(S)    | 0309119(S)    |
| 7            | Gloeï-ontsteker  |                 | 0309232(S)    | 0309232(S)    | 0309232(S)    | 0309232(S)    | 0309232(S)    | 0309232(S)    | 0309232(S)    |
| 8            | Ionisatiepen   |                 | 0310075(S)    | 0310075(S)    | 0310075(S)    | 0310075(S)    | 0310075(S)    | 0310075(S)    | 0310075(S)    |
| 9            | Potentiostaat  |                 | 0306160(S)    | 0306160(S)    | 0306160(S)    | 0306160(S)    | 0306160(S)    | 0306160(S)    | 0306160(S)    |
| 10           | Temperatuur sensor (boven in tank)                       |                 | 0311295(S)    | 0311295(S)    | 0311295(S)    | 0311295(S)    | 0311295(S)    | 0311295(S)    | 0311295(S)    |
| 11           | Temperatuur sensor (onder in tank)                       |                 | 0308149(S)    | 0308149(S)    | 0308149(S)    | 0308149(S)    | 0308149(S)    | 0308149(S)    | 0308149(S)    |
| 12           | Luchtdrukverschilchakelaar (LDS)                         |                 | 0309169(S)    | 0309169(S)    | 0309169(S)    | 0309169(S)    | 0309331(S)    | 0309331(S)    | 0309331(S)    |
| 13           | Kabelboom  |                 | 0309136(S)    | 0309136(S)    | 0309136(S)    | 0309136(S)    | 0309136(S)    | 0309136(S)    | 0309136(S)    |
| 14           | Pakkingen  |                 | 0309608(S)    | 0309608(S)    | 0309608(S)    | 0309608(S)    | 0309609(S)    | 0309609(S)    | 0309609(S)    |
| 15           | Luchtinlaatpijp  |                 | 0309148(S)    | 0309148(S)    | 0309148(S)    | 0309148(S)    | 0309129(S)    | 0309129(S)    | 0309129(S)    |
| 16           | Reinigingsopening set                                    |                 | 0305082(S)    | 0305082(S)    | 0305082(S)    | 0305082(S)    | 0305082(S)    | 0305082(S)    | 0305082(S)    |
| 17           | Aftapkraan   | tot 03-10-'10   | 0026273004(S) | 0026273004(S) | 0026273004(S) | 0026273004(S) | 0026273004(S) | 0026273004(S) | 0026273004(S) |
|              |  | vanaf 04-10-'10 | 0308997(S)    | 0308997(S)    | 0308997(S)    | 0308997(S)    | -             | -             | -             |
| 18           | Kunststof verloopsoek (uitgang warmtewisselaar)          |                 | 0192636(S)    | 0192636(S)    | 0192636(S)    | 0192636(S)    | 0308196(S)    | 0308196(S)    | 0308196(S)    |
| 19           | Besturing zonnestelsysteem                               | tot 28-07-'13   | 0308874(S)    | 0308874(S)    | 0308874(S)    | 0308874(S)    | 0308874(S)    | 0308874(S)    | 0308874(S)    |
|              |  | vanaf 29-07-'13 | 0311055(S)    | 0311055(S)    | 0311055(S)    | 0311055(S)    | 0311055(S)    | 0311055(S)    | 0311055(S)    |
| 20           | Temperatuur sensor (zonnecollector)                      |                 | 0308904(S)    | 0308904(S)    | 0308904(S)    | 0308904(S)    | 0308904(S)    | 0308904(S)    | 0308904(S)    |
| 21           | Temperatuur sensor (warmtewisselaar voorraadvat)         |                 | 0308149(S)    | 0308149(S)    | 0308149(S)    | 0308149(S)    | 0308149(S)    | 0308149(S)    | 0308149(S)    |
| 22           | Temperatuur sensor (boven in voorraadvat)                |                 | 0308149(S)    | 0308149(S)    | 0308149(S)    | 0308149(S)    | 0308149(S)    | 0308149(S)    | 0308149(S)    |
| 23           | Gecombineerde Temp. & Druk ventiel 3/4" (in voorraadvat) |                 | 0076527004(S) | 0076527004(S) | 0076527004(S) | 0076527004(S) | 0076527004(S) | 0076527004(S) | 0076527004(S) |
| 24           | Drukreduceer   | vanaf 31-10-'12 | 0310180(S)    | 0310180(S)    | 0310180(S)    | 0310180(S)    | -             | -             | -             |
| 25           | Beschermkap Potentiostaat                                | vanaf 04-05-'15 | 0311486(S)    | 0311486(S)    | 0311486(S)    | 0311486(S)    | 0311486(S)    | 0311486(S)    | 0311486(S)    |
| 26           | Bocht (met sifon aansluiting)                            |                 | 0304029(S)    | 0304029(S)    | 0304029(S)    | 0304029(S)    | 0304029(S)    | 0304029(S)    | 0304029(S)    |
| 27           | Sifon  |                 | 0306181(S)    | 0306181(S)    | 0306181(S)    | 0306181(S)    | 0306181(S)    | 0306181(S)    | 0306181(S)    |
|              | Q/T Sensor Service Kit only Sensor, O-ring and Clip      |                 | 0313621(S)    | 0313621(S)    | 0313621(S)    | 0313621(S)    | 0313621(S)    | 0313621(S)    | 0313621(S)    |

## SGS accessoires

| omschrijving                             | datum | 28            | 30            | 50            | 60            | 80            | 100           | 120           |
|--|-------|---------------|---------------|---------------|---------------|---------------|---------------|---------------|
| Gaskraan                                 |       | 0300719(S)    | 0300719(S)    | 0300719(S)    | 0300719(S)    | 0300719(S)    | 0300719(S)    | 0300719(S)    |
| Inlaatcombinatie G1"                     |       | 0070066003(S) | 0070066003(S) | 0070066003(S) | 0070066003(S) | 0070066003(S) | 0070066003(S) | 0070066003(S) |
| Gecombineerde Temp. & Drukventiel 1"     |       | 0099383005(S) | 0099383005(S) | 0099383005(S) | 0099383005(S) | 0099383005(S) | 0099383005(S) | 0099383005(S) |
| Verlengnippel (tot T&P)                  |       | 0306713(S)    | 0306713(S)    | 0306713(S)    | 0306713(S)    | 0306713(S)    | 0306713(S)    | 0306713(S)    |
| Verloopnippel Rp 1 1/2" x 22 mm knel     |       | 0309411(S)    | 0309411(S)    | 0309411(S)    | 0309411(S)    | 0309411(S)    | 0309411(S)    | 0309411(S)    |
| Verloopnippel Rp 1 1/2" x 28 mm knel     |       | 0309412(S)    | 0309412(S)    | 0309412(S)    | 0309412(S)    | 0309412(S)    | 0309412(S)    | 0309412(S)    |
| Verloopnippel Rp 1 1/2" x 35 mm knel     |       | n.b.          | n.b.          | n.b.          | n.b.          | n.b.          | n.b.          | n.b.          |
| Gecombineerde Flow- en Temperatuursensor |       | 0309285(S)    | 0309285(S)    | 0309285(S)    | 0309285(S)    | 0309285(S)    | 0309285(S)    | 0309285(S)    |
| Dummy (vervanging van collectoren)       |       | 0309152(S)    | 0309152(S)    | 0309152(S)    | 0309152(S)    | 0309152(S)    | 0309152(S)    | 0309152(S)    |
| Scheidingstrafo                          |       | 0309887(S)    | 0309887(S)    | 0309887(S)    | 0309887(S)    | 0309887(S)    | 0309887(S)    | 0309887(S)    |
| BMS interface                            |       | 0310013(S)    | 0310013(S)    | 0310013(S)    | 0310013(S)    | 0310013(S)    | 0310013(S)    | 0310013(S)    |
| Inlaatcombinatie DN40                    |       | 0309927(S)    | 0309927(S)    | 0309927(S)    | 0309927(S)    | 0309927(S)    | 0309927(S)    | 0309927(S)    |
| Remote Display                           |       | 0309999(S)    | 0309999(S)    | 0309999(S)    | 0309999(S)    | 0309999(S)    | 0309999(S)    | 0309999(S)    |
| Scheidingstrafo                          |       | 0309887(S)    | 0309887(S)    | 0309887(S)    | 0309887(S)    | 0309887(S)    | 0309887(S)    | 0309887(S)    |
| Verlengkabel collector sensor 5 mtr.     |       | 0309197(S)    | 0309197(S)    | 0309197(S)    | 0309197(S)    | 0309197(S)    | 0309197(S)    | 0309197(S)    |