

SGS 28-60 before 14-9-'09

SGS parts

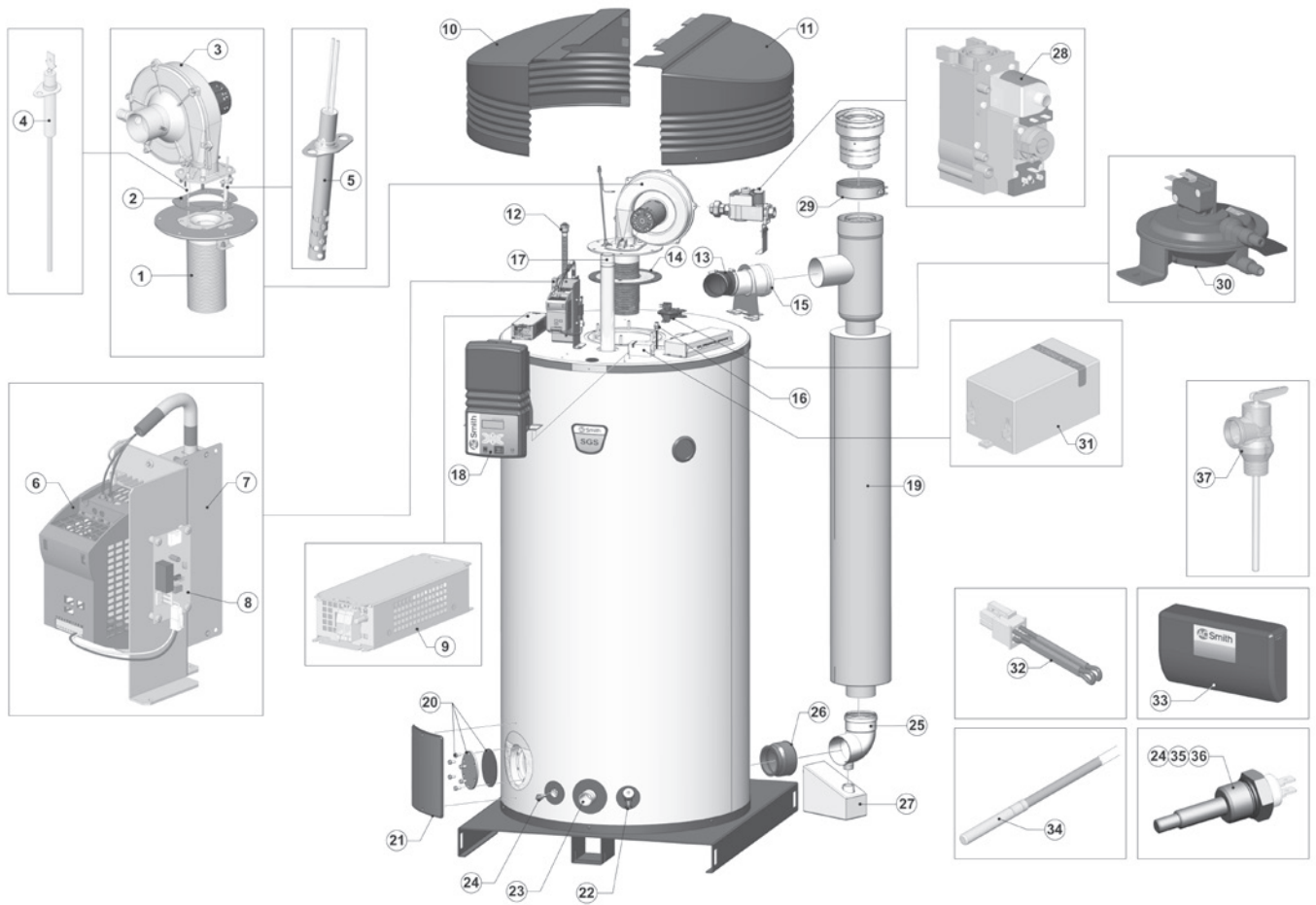


Nr	description	date	28	30	50	60
2	Glow igniter service kit		0304079(S)	0304079(S)	0304079(S)	0304079(S)
3	Flame probe		0192478(S)	0192478(S)	0192478(S)	0192478(S)
4	Gas control NAT-gas		0300903(S)	0300903(S)	0300903(S)	0300808(S)
	Gas control LP-gas		0301099(S)	0301099(S)	0301099(S)	0301099(S)
	Gas control (NAT-gas + LP-gas) (BE + FR only)		0301099(S)	0301099(S)	0301099(S)	0301100(S)
5	Differential air pressure switch	before 16-11-'08	0305003(S)	0305004(S)	0305005(S)	0305006(S)
		after 17-11-'08	0309235(S)	0305004(S)	0305005(S)	0305006(S)
8	Air supply hose		0304035(S)	0304035(S)	0304035(S)	0304035(S)
9	Clamping strip		0305027(S)	0304199(S)	0304199(S)	0304199(S)
10	Anode		0183463039(S) (4x)	0183463050(S) (4x)	0183463050(S) (4x)	0183463050(S) (4x)
	Flexible anode		0304728(S) (4x)	0304728(S) (4x)	0304728(S) (4x)	0304728(S) (4x)
11	Appliance control service kit		0308882(S)	0308882(S)	0308882(S)	0308882(S)
12	Transition piece		0304987(S)	0304012(S)	0304012(S)	0304012(S)
	Transition piece damper		0304987(S)	0304683(S)	0304683(S)	0304683(S)
13	Temperature sensor T2 (top tank)		0304469(S)	0304469(S)	0304469(S)	0304469(S)
14	Gasket burner/tank		0192331(S)	0192331(S)	0192331(S)	0192331(S)
15	Hot water outlet nipple		0304017(S)	0304017(S)	0304017(S)	0304017(S)
16	Temperature sensor T1 (bottom tank)		0308149(S)	0308149(S)	0308149(S)	0308149(S)
17	Cover plate cleaning opening		0039137002/24(S)	0039137002/24(S)	0039137002/24(S)	0039137002/24(S)
18	Cleaning opening set		0305082(S)	0305082(S)	0305082(S)	0305082(S)
19	Cold water supply nipple		0070615(S)	0070615(S)	0070615(S)	0070615(S)
20	Drain valve		0026273004(S)	0026273004(S)	0026273004(S)	0026273004(S)
21	Bend		0304986(S)	0304029(S)	0304029(S)	0304029(S)
22	Adapting socket		0304984(S)	0192636(S)	0192636(S)	0192636(S)
23	Siphon		0304988(S)	0306181(S)	0306181(S)	0306181(S)
24	Fan kit		0304104(S)	0304104(S)	0304104(S)	0304104(S)
25	Flue gas sensor		0304301(S)	0304301(S)	0304301(S)	0304301(S)
26	Solar system control service kit		0308874(S)	0308874(S)	0308874(S)	0308874(S)
27	Temperature sensor S1 (in solar collector)		0308904(S)	0308904(S)	0308904(S)	0308904(S)
28	Temperature sensor S2 (bottom storage tank)		0308149(S)	0308149(S)	0308149(S)	0308149(S)
29	Temperature sensor S3 (top storage tank)		0308149(S)	0308149(S)	0308149(S)	0308149(S)
30	T&P-valve (storage tank)		0076527004(S)	0076527004(S)	0076527004(S)	0076527004(S)
	Service kit Q/T sensor		0313621(S)	0313621(S)	0313621(S)	0313621(S)

SGS accessories

description	date	28	30	50	60
Gas cock 3/4"		0300719(S)	0300719(S)	0300719(S)	0300719(S)
Inlet security group G1"		0070066003(S)	0070066003(S)	0070066003(S)	0070066003(S)
Expansion valve 1/2" 8 bar		0305712(S)	0305712(S)	0305712(S)	0305712(S)
T&P valve		0099383005(S)	0099383005(S)	0099383005(S)	0099383005(S)
Extension nipple T&P		0306713(S)	0306713(S)	0306713(S)	0306713(S)
Flow- and temperature sensor S4		0309285(S)	0309285(S)	0309285(S)	0309285(S)
Reducing Nipple Rp1 1/2"x 22 mm press		0309411(S)	0309411(S)	0309411(S)	0309411(S)
Reducing Nipple Rp1 1/2"x 28 mm press		0309412(S)	0309412(S)	0309412(S)	0309412(S)
Reducing Nipple Rp1 1/2"x 35 mm press		n.a.	n.a.	n.a.	n.a.
Dummy (sensor solarkit)		0309152(S)	0309152(S)	0309152(S)	0309152(S)
Isolating transformer		0306054(S)	0306054(S)	0306054(S)	0306054(S)
Power anode set		0309216(S)	0309217(S)	0309217(S)	0309217(S)

Exploded view SGS 80-100 before 14-9-'09



EVD-0047 R0

SGS 80-100 before 14-9-'09

SGS parts



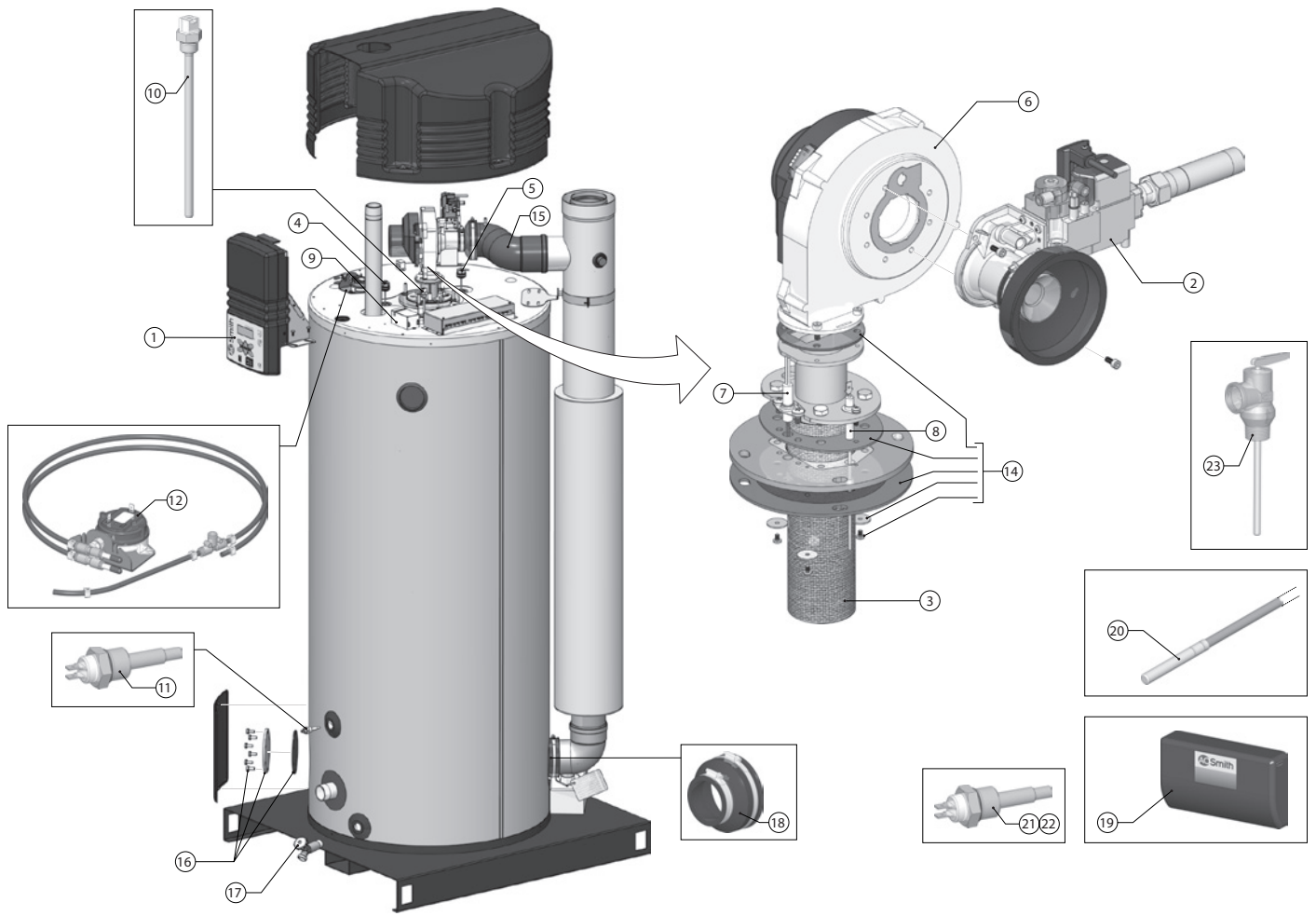
nr	Description	date	80	100
1	Burner		0197315(S)	0197315(S)
2	Gasket fan/burner		0308202(S)	0308202(S)
3	Fan		0197322(S)	0197322(S)
4	Flame probe		0194776002(S)	0194776002(S)
5	Hot surface igniter	before 18-01-'09 after 18-01-'09	0308204(S) 0309065(S)	0308204(S) 0309065(S)
6	Frequency controller		0305805(S)	0305805(S)
7	EMC-Filter		0305806(S)	0305806(S)
8	PCB interface		0307490(S)	0307490(S)
9	Line commutation choke		0306690(S)	0306690(S)
10	Left plastic top cover		n.a.	n.a.
11	Right plastic top cover		n.a.	n.a.
12	Power anode		0302757(S)	0302757(S)
13	Air supply hose		0305504(S)	0305504(S)
14	Gasket burner/tank		0308266(S)	0308266(S)
15	Chimney pipe support		n.b.	n.b.
16	Temperature sensor T2 (top tank)		0304469(S)	0304469(S)
17	Hot water outlet nipple		0304017(S)	0304017(S)
18	Appliance control service kit		0308943(S)	0308943(S)
19	Chimney pipe with damper		0304683(S)	0304683(S)
20	Cleaning opening set		0305082(S)	0305082(S)
21	Cover plate cleaning opening		0039137002/24(S)	0039137002/24(S)
22	Drain valve		0026273004(S)	0026273004(S)
23	Cold water supply nipple		0070615(S)	0070615(S)
24	Temperature sensor T1 (bottom tank)		0308149(S)	0308149(S)
25	Bend		0304029(S)	0304029(S)
26	Adapting socket		0308196(S)	0308196(S)
27	Siphon		0306181(S)	0306181(S)
28	Gas control		0306189(S)	0306189(S)
29	Clamping strip		0304199(S)	0304199(S)
30	Air pressure swith		n.a.	n.a.
31	Potentiostat		0306160(S)	0306160(S)
32	Flue gas sensor		0304301(S)	0304301(S)
33	Solar system control service kit		0308874(S)	0308874(S)
34	Temperature sensor S1 (in solar collector)		0308904(S)	0308904(S)
35	Temperature sensor S2 (bottom storage tank)		0308149(S)	0308149(S)
36	Temperature sensor S3 (top storage tank)		0308149(S)	0308149(S)
37	T&P-valve (storage tank)		0076527004(S)	0076527004(S)
	Service kit Q/T sensor		0313621(S)	0313621(S)

SGS accessories

Description	date	80	100
Conversion set to LP-gas from NAT to LP and LP to LP		0308955(S)	0308957(S)
Conversion set to NAT-gas from LP to NAT and NAT to NAT		0308954(S)	0308956(S)
Isolating transformer kit		0306054(S)	0306054(S)
Potential free switch kit		0306056(S)	0306056(S)
Gas cock ¾"		0300719(S)	0300719(S)
Inlet security group G1"		0070066003(S)	0070066003(S)
Expansion valve 1/2" 8 bar		0305712(S)	0305712(S)
Reducing Nipple Rp1½"x 22 mm press		0309411(S)	0309411(S)
Reducing Nipple Rp1½"x 28 mm press		0309412(S)	0309412(S)
Reducing Nipple Rp1½"x 35 mm press		n.a.	n.a.
Flow- and temperature sensor S4		0309285(S)	0309285(S)
Dummy (sensor solarkit)		0309152(S)	0309152(S)

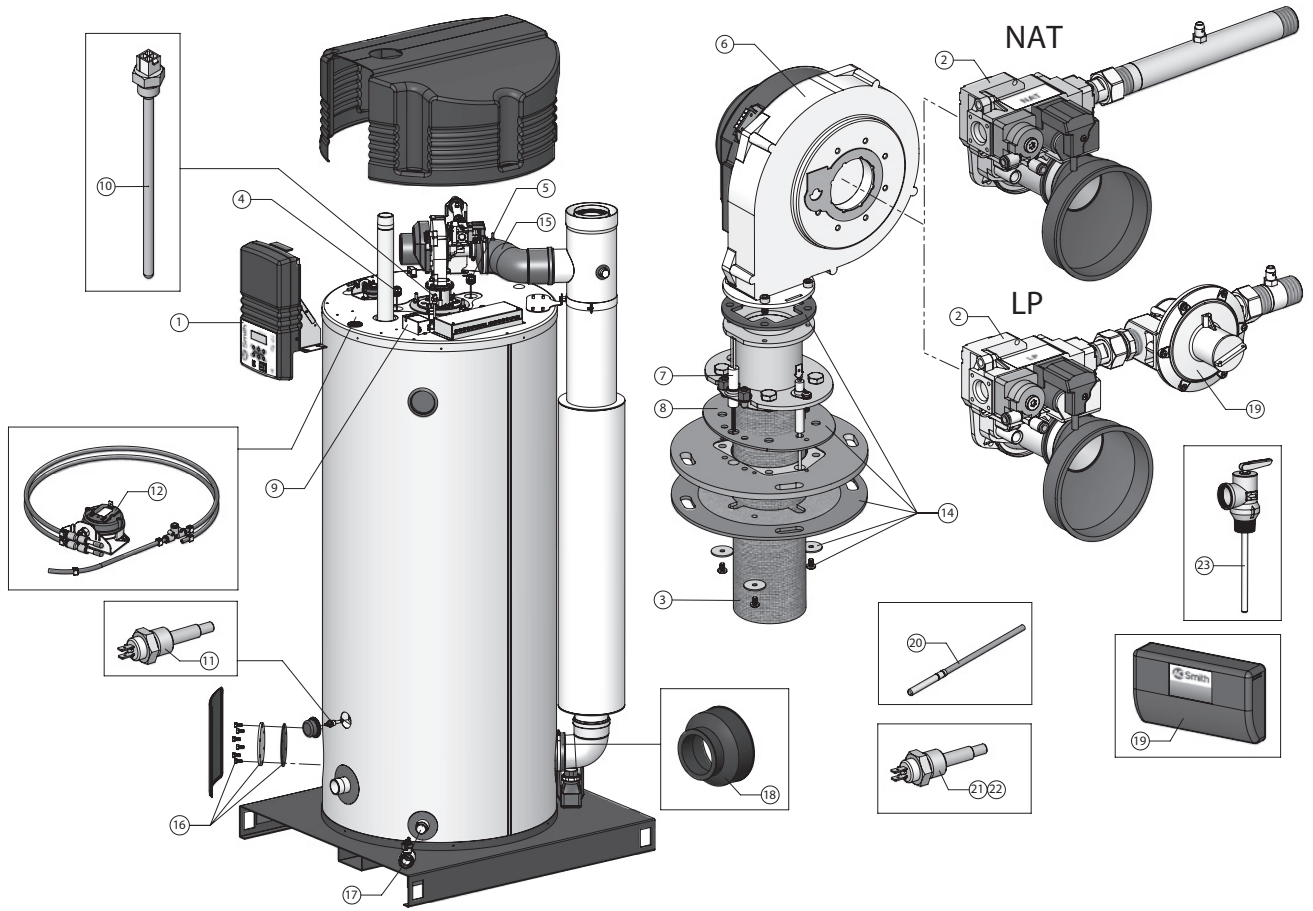
Parts that are marked yellow
are parts that are used for maintenance.

Exploded view SGS 28-60 from 14-9-'09 until 3-2-'13



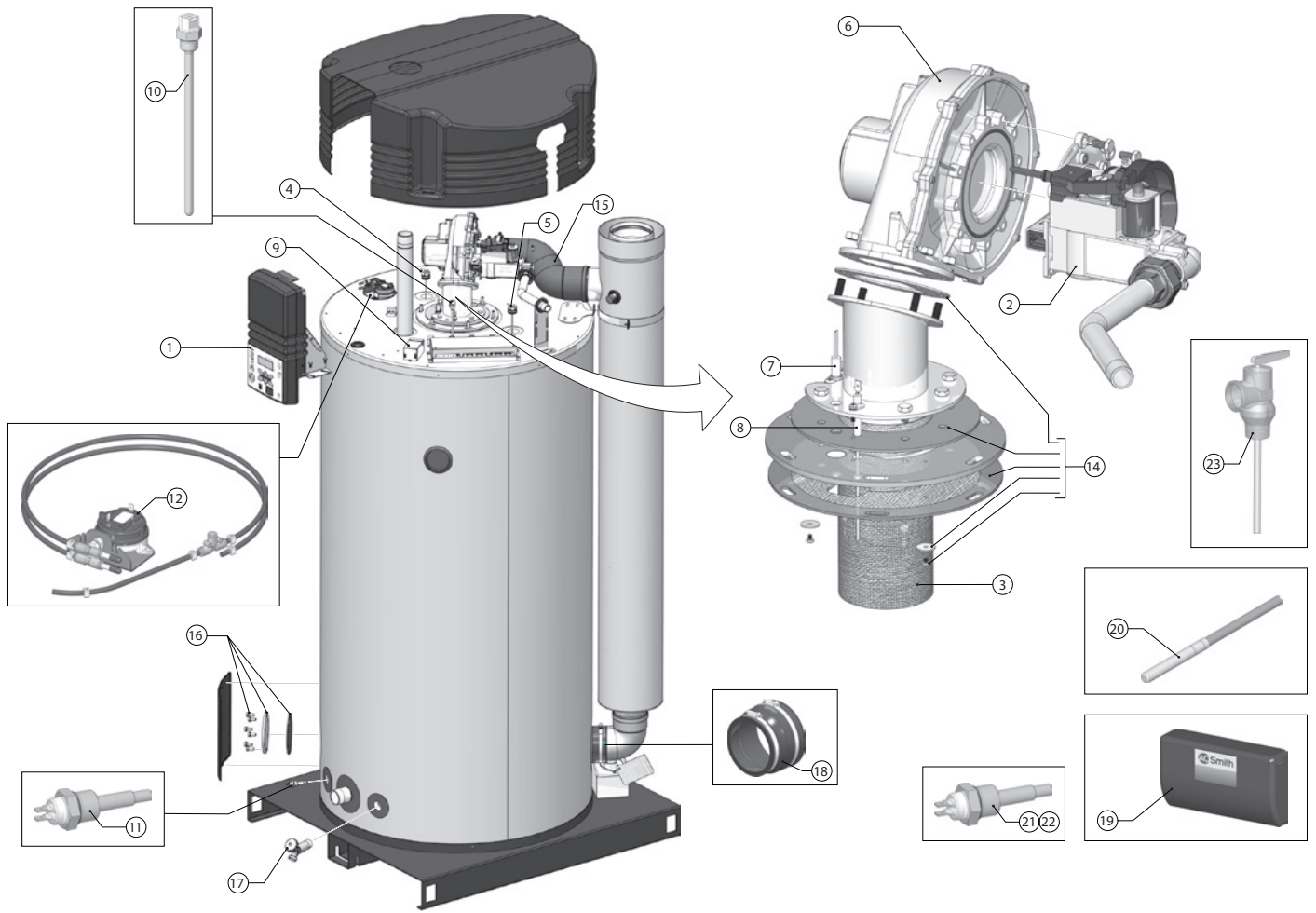
EVD-0054 R0

Exploded view SGS 28-60 after 4-2-'13



EVD-0054 R1

Exploded view SGS 80-120 after 14-9-'09



EVD-0055

SGS 28-120 after 14-9-'09

SGS parts

nr	Description	date	28	30	50	60	80	100	120
1	Control	before 28-7-'13 after 29-7-'13	0309362(S) 0311159(S)	0309362(S) 0311159(S)	0309362(S) 0311159(S)	0309362(S) 0311159(S)	0309362(S) 0311159(S)	0309362(S) 0311159(S)	0309362(S) 0311159(S)
2	Gas control (NAT-gas) G20	before 3-2-'13 after 4-2-'13	0310186(S) 0310155(S)	0310186(S) 0310155(S)	0310186(S) 0310155(S)	0310186(S) 0310155(S)	- -	- -	- -
		-	-	-	-	0309167(S)	0309167(S)	0309167(S)	
	Gas control (NAT-gas) G25	before 3-2-'13 after 4-2-'13	0310187(S) 0310156(S)	0310187(S) 0310156(S)	0310187(S) 0310156(S)	0310187(S) 0310156(S)	- -	- -	- -
		-	-	-	-	0309166(S)	0309166(S)	0309166(S)	
Gas control (LP-gas)	before 3-2-'13 after 4-2-'13	0310188(S) 0310157(S)	0310188(S) 0310157(S)	0310188(S) 0310157(S)	0310188(S) 0310157(S)	- -	- -	- -	
	-	-	-	-	0309168(S)	0309168(S)	0309168(S)		
3	Burner		0309297(S)	0309297(S)	0309297(S)	0309297(S)	0309125(S)	0309125(S)	0309125(S)
4	Power anode		-	0197709(S)	0197709(S)	0197709(S)	0197709(S)	0197709(S)	0197709(S)
5	Power anode		0197710(S)	0197710(S)	0197710(S)	0197710(S)	0197710(S)	0197710(S)	0197710(S)
6	Fan		0309159(S)	0309159(S)	0309159(S)	0309159(S)	0309119(S)	0309119(S)	0309119(S)
7	Glow-igniter		0309232(S)	0309232(S)	0309232(S)	0309232(S)	0309232(S)	0309232(S)	0309232(S)
8	Flame probe		0310075(S)	0310075(S)	0310075(S)	0310075(S)	0310075(S)	0310075(S)	0310075(S)
9	Potentiostat		0306160(S)	0306160(S)	0306160(S)	0306160(S)	0306160(S)	0306160(S)	0306160(S)
10	Temperature sensor (top of tank)		0311295(S)	0311295(S)	0311295(S)	0311295(S)	0311295(S)	0311295(S)	0311295(S)
11	Temperature sensor (bottom of tank)		0308149(S)	0308149(S)	0308149(S)	0308149(S)	0308149(S)	0308149(S)	0308149(S)
12	Differential air pressure switch		0309169(S)	0309169(S)	0309169(S)	0309169(S)	0309331(S)	0309331(S)	0309331(S)
13	Harness		0309136(S)	0309136(S)	0309136(S)	0309136(S)	0309136(S)	0309136(S)	0309136(S)
14	Gaskets		0309608(S)	0309608(S)	0309608(S)	0309608(S)	0309609(S)	0309609(S)	0309609(S)
15	Air inlet		0309148(S)	0309148(S)	0309148(S)	0309148(S)	0309129(S)	0309129(S)	0309129(S)
16	Cleaning opening		0305082(S)	0305082(S)	0305082(S)	0305082(S)	0305082(S)	0305082(S)	0305082(S)
17	Drain valve	before 3-10-'10 after 4-10-'10	0026273004(S) 0308997(S)	0026273004(S) 0308997(S)	0026273004(S) 0308997(S)	0026273004(S) 0308997(S)	0026273004(S) -	0026273004(S) -	0026273004(S) -
			0192636(S)	0192636(S)	0192636(S)	0192636(S)	0308196(S)	0308196(S)	0308196(S)
18	Plastic adapting socket		0192636(S)	0192636(S)	0192636(S)	0192636(S)	0308196(S)	0308196(S)	0308196(S)
19	Solar system control	before 28-7-'13 after 29-7-'13	0308874(S) 0311055(S)	0308874(S) 0311055(S)	0308874(S) 0311055(S)	0308874(S) 0311055(S)	0308874(S) 0311055(S)	0308874(S) 0311055(S)	0308874(S) 0311055(S)
			0308904(S)	0308904(S)	0308904(S)	0308904(S)	0308904(S)	0308904(S)	0308904(S)
20	Temperature sensor (collector)		0308904(S)	0308904(S)	0308904(S)	0308904(S)	0308904(S)	0308904(S)	0308904(S)
21	Temperature sensor (heat exchanger storage tank)		0308149(S)	0308149(S)	0308149(S)	0308149(S)	0308149(S)	0308149(S)	0308149(S)
22	Temperature sensor (top of storage tank)		0308149(S)	0308149(S)	0308149(S)	0308149(S)	0308149(S)	0308149(S)	0308149(S)
23	T&P valve (in storage tank)		0076527004(S)	0076527004(S)	0076527004(S)	0076527004(S)	0076527004(S)	0076527004(S)	0076527004(S)
24	Reducing valve G30/G31	after 4-2-'13	0310180(S)	0310180(S)	0310180(S)	0310180(S)	-	-	-
25	Cover potentiostat	after 04-05-'15	0311486(S)	0311486(S)	0311486(S)	0311486(S)	0311486(S)	0311486(S)	0311486(S)
26	Bend (with siphon connection)		0304029(S)	0304029(S)	0304029(S)	0304029(S)	0304029(S)	0304029(S)	0304029(S)
27	Siphon		0306181(S)	0306181(S)	0306181(S)	0306181(S)	0306181(S)	0306181(S)	0306181(S)
	Service kit Q/T sensor		0313621(S)	0313621(S)	0313621(S)	0313621(S)	0313621(S)	0313621(S)	0313621(S)

SGS accessories

Description	date	28	30	50	60	80	100	120
Conversion set to LP-gas from NAT to LP and LP to LP	before 03-02-'13 after 04-02-'13	0309540(S) 0310936(S)	0309540(S) 0310936(S)	0309540(S) 0310936(S)	0309540(S) 0310936(S)	- -	- -	- -
		-	-	-	-	0309542(S)	0309542(S)	0309542(S)
Conversion set to NAT-gas from LP to NAT	before 03-02-'13 after 04-02-'13	0309541(S) 0312594(S)	0309541(S) 0312594(S)	0309541(S) 0312594(S)	0309541(S) 0312594(S)	- 0312595(S)	- 0312595(S)	- 0312595(S)
		0300719(S)	0300719(S)	0300719(S)	0300719(S)	0300719(S)	0300719(S)	0300719(S)
Gas cock		0070066003(S)	0070066003(S)	0070066003(S)	0070066003(S)	0070066003(S)	0070066003(S)	0070066003(S)
Inlet security group G 1"		0306713(S)	0306713(S)	0306713(S)	0306713(S)	0306713(S)	0306713(S)	0306713(S)
Reducing Nipple (for T&P)		0309411(S)	0309411(S)	0309411(S)	0309411(S)	0309411(S)	0309411(S)	0309411(S)
Reducing Nipple Rp1½"x 22 mm press		0309412(S)	0309412(S)	0309412(S)	0309412(S)	0309412(S)	0309412(S)	0309412(S)
Reducing Nipple Rp1½"x 28 mm press		n.a.	n.a.	n.a.	n.a.	n.a.	n.a.	n.a.
Reducing Nipple Rp1½"x 35 mm press		n.a.	n.a.	n.a.	n.a.	n.a.	n.a.	n.a.
Combined flow & temperature sensor		0309285(S)	0309285(S)	0309285(S)	0309285(S)	0309285(S)	0309285(S)	0309285(S)
Dummy (Replacement collectors)		0309152(S)	0309152(S)	0309152(S)	0309152(S)	0309152(S)	0309152(S)	0309152(S)
Isolation transformer		0309887(S)	0309887(S)	0309887(S)	0309887(S)	0309887(S)	0309887(S)	0309887(S)
BMS interface		0310013(S)	0310013(S)	0310013(S)	0310013(S)	0310013(S)	0310013(S)	0310013(S)
Expansion valve ½" 8 bar		0305712(S)	0305712(S)	0305712(S)	0305712(S)	0305712(S)	0305712(S)	0305712(S)
Ext. Cable Collector Sensor (5 mtr)		0309197(S)	0309197(S)	0309197(S)	0309197(S)	0309197(S)	0309197(S)	0309197(S)
T&P Valve 1" 150 psi NO WRAS		0099383005(S)	0099383005(S)	0099383005(S)	0099383005(S)	0099383005(S)	0099383005(S)	0099383005(S)
Inlet security group DN40		0309927(S)	0309927(S)	0309927(S)	0309927(S)	0309927(S)	0309927(S)	0309927(S)
Remote display		0309999(S)	0309999(S)	0309999(S)	0309999(S)	0309999(S)	0309999(S)	0309999(S)

Parts that are marked yellow are parts that are used for maintenance.

ST

ST 300-1000 parts



Nr.	Description	date	300		400	500	600	750	1000
			before 01-06-'17	after 01-06-'17					
1	Anode		0313237(S)	0312657(S)	0301521(S)	0301521(S)	0301634(S)	0301637(S)	0301637(S)
	Flexible anode		-	-	0301727(S)	0301727(S)	0301727(S)	0301727(S)	0301727(S)
2	Gasket of clean out		0303845(S)	0312658(S)	0301535(S)	0301535(S)	0301536(S)	0301536(S)	0301536(S)
3	Stop plug set		-	0312788(S)	-	-	-	-	-
5	Leveling screw		0303820(S)	-	-	-	-	-	-
			0304507(S)	0312661(S)	-	-	-	-	-
6	Cover front	before 18-09-'17	-	-	0304507(S)	0304507(S)	0304509(S)	0304509(S)	0304509(S)
		after 18-09-'17	-	-	0312812(S)	0312812(S)	0312816(S)	0312816(S)	0312816(S)
7	Cover jacket		0304504(S) *	0312662(S)	-	-	-	-	-
		before 18-09-'17	-	-	0304504(S) #	0304504(S) #	0304505(S) #	0304505(S) #	0304506(S) #
		after 18-09-'17	-	-	0312778(S) ##	0312926(S) ##	0312779(S) ##	0312927(S) ##	0312811(S) ##
8	Insulation cover jacket		-	-	0312970(S)	0312970(S)	0312972(S)	0312972(S)	0312794(S)
9	Insulation package Insulation Jacket and Isolation Top		0303717(S)	-	-	-	-	-	-
			-	0312654(S)	0312704(S)	0312705(S)	0312706(S)	0312707(S)	0312708(S)
10	Flange clean out		0303844(S)	0312659(S)	-	-	-	-	-
			-	-	0301517(S)	0301517(S)	0301534(S)	0301534(S)	0301534(S)

The insulation, which is located under the cover, is part of the insulation package and cannot be ordered separately.
 ## The insulation, which is located under the cover, is part of the insulation package and can also be ordered separately, see 8.

ST 300-1000 accessories

Description	date	300		400	500	600	750	1000
		before 01-06-'17	after 01-06-'17					
Thermometer		0304593(S)	0304593(S)	0304593(S)	0304593(S)	0304594(S)	0304594(S)	0304594(S)
Electrical Element Flange connection on water heater	2.0 kW	0304285(S)	0304285(S)	0304285(S)	0304285(S)	0304285(S) #	0304285(S) #	0304285(S) #
	2.5 kW	0304286(S)	0304286(S)	0304286(S)	0304286(S)	0304286(S) #	0304286(S) #	0304286(S) #
	3.3 kW	0304287(S)	0304287(S)	0304287(S)	0304287(S)	0304287(S) #	0304287(S) #	0304287(S) #
	6.0 kW	0304288(S)	0304288(S)	0304288(S)	0304288(S)	0304288(S) #	0304288(S) #	0304288(S) #
	7.5 kW	0304289(S)	0304289(S)	0304289(S)	0304289(S)	0304289(S) #	0304289(S) #	0304289(S) #
Electrical Element 1 1/2" connection on water heater	2.0 kW	0304291(S) ##	0304291(S) ##	0304291(S) ##	0304291(S) ##	0304291(S) ###	0304291(S) ###	0304291(S) ###
	2.5 kW	0304292(S) ##	0304292(S) ##	0304292(S) ##	0304292(S) ##	0304292(S) ###	0304292(S) ###	0304292(S) ###
	3.0 kW	0304293(S) ##	0304293(S) ##	0304293(S) ##	0304293(S) ##	0304293(S) ###	0304293(S) ###	0304293(S) ###
	4.5 kW	0304294(S) ##	0304294(S) ##	0304294(S) ##	0304294(S) ##	0304294(S) ###	0304294(S) ###	0304294(S) ###
	6.0 kW	0304295(S) ##	0304295(S) ##	0304295(S) ##	0304295(S) ##	0304295(S) ###	0304295(S) ###	0304295(S) ###
7.5 kW	0304296(S) ##	0304296(S) ##	0304296(S) ##	0304296(S) ##	0304296(S) ###	0304296(S) ###	0304296(S) ###	
Reducing Flange Ø225 to Ø150		-	-	-	-	0304405(S)	0304405(S)	0304405(S)
Flange Ø150 to R 1 1/2"		0304752(S)	0304752(S)	0304752(S)	0304752(S)	0304752(S)	0304752(S)	0304752(S)
Cover strip assy		0313719(S)	0313719(S)	0313749(S)	0313749(S)	0313749(S)	0313749(S)	0313749(S)
Immersion Well 120 mm		0303840(S)	-	-	-	-	-	-
Immersion Well 55 mm		0303841(S)	-	-	-	-	-	-
Reducing Nipple Set 2" BSP F naar R 1" M	before 18-09-'17	-	-	0309754(S)	0309754(S)	-	-	-
Reducing Nipple Set 2" BSP F naar R 1 1/2" M	before 18-09-'17	-	-	0309755(S)	0309755(S)	-	-	-
Reducing Nipple Set 2 1/2" BSP F naar R 1" M	before 18-09-'17	-	-	-	-	0309756(S)	0309756(S)	0309756(S)
Reducing Nipple Set 2 1/2" BSP F naar R 1 1/4" M	before 18-09-'17	-	-	-	-	0309757(S)	0309757(S)	0309757(S)
Reducing Nipple Set 2 1/2" BSP F naar R1 1/2" M	before 18-09-'17	-	-	-	-	0309758(S)	0309758(S)	0309758(S)
Inet Security Group DN40		-	-	0309927(S)	0309927(S)	0309927(S)	0309927(S)	0309927(S)

With this element also flange 0304405(S) must be mounted.
 ## With this element also flange 0304752(S) must be mounted.
 ### With this element also flange 0304405(S) and 0304752(S) must be mounted.

ST 1500-3000 parts

Nr.	Description	date	1500	2000	2500	3000
1	Insulation package		0312838(S)	0312839(S)	0312840(S)	0312841(S)
2	Cover insulation package		0313538(S)	0313538(S)	0313539(S)	0313539(S)
3	Clean out service kit		0307127(S)	0307127(S)	0307127(S)	0307127(S)
4	Gasket clean out		0307126(S)	0307126(S)	0307126(S)	0307126(S)
6	Hot water outlet connection Flange, Gasket, Bolts and Nuts	before 12-01-'16	0307132(S)	0307132(S)	0307132(S)	0307132(S)
		after 13-01-'16	0311426(S)	0311426(S)	0311426(S)	0311426(S)
7	Gasket hot water outlet connection	after 13-01-'16	0311995(S)	0311995(S)	0311995(S)	0311995(S)
8	Anode (3x)		0311083(S)	0311083(S)	0311084(S)	0311084(S)

ST 1500-3000 accessories

Nr.	1500	2000	2500	3000
Thermometer Kit	0308176(S)	0308176(S)	0308176(S)	0308176(S)
Extension Nipple 2x 2" BSP F	0309082(S)	0309082(S)	0309082(S)	0309082(S)
Extension Nipple R 2" M naar R 1" M	0309083(S)	0309083(S)	0309083(S)	0309083(S)
Extension Nipple R 2" M naar R 1 1/2" M	0309084(S)	0309084(S)	0309084(S)	0309084(S)
Reducing Nipple Set 2" BSP F naar R 1" M	0309754(S) #	0309754(S) #	0309754(S) #	0309754(S) #
Reducing Nipple Set 2" BSP F naar R1 1/2" M	0309755(S) ##	0309755(S) ##	0309755(S) ##	0309755(S) ##

1 This set consists of 2x Extension nipple 2x 2" BSP F and 2x Reducing nipple 2" BSP M to R 1" M
 2 This set consists of 2x Extension nipple 2x 2" BSP F and 2x Reducing nipple 2" BSP M to R 1 1/2" M

Parts that are marked yellow
 are parts that are used for maintenance.