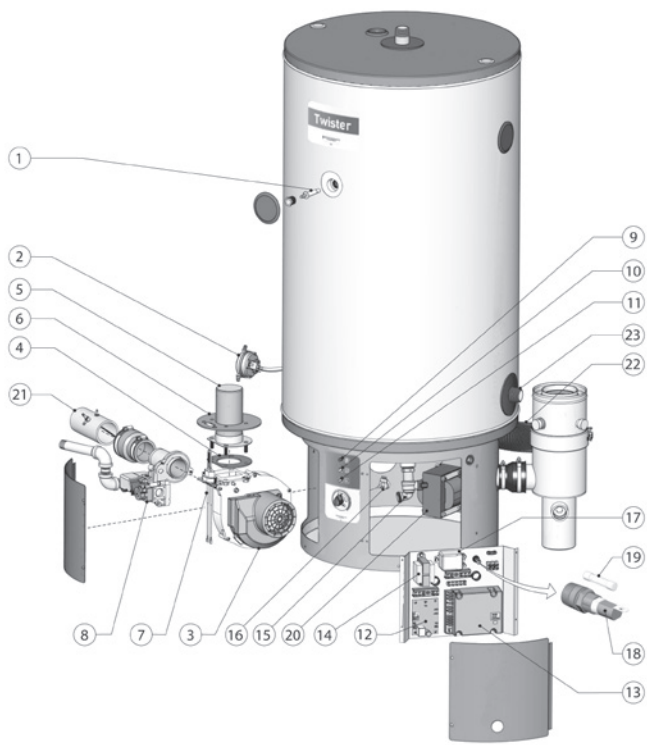
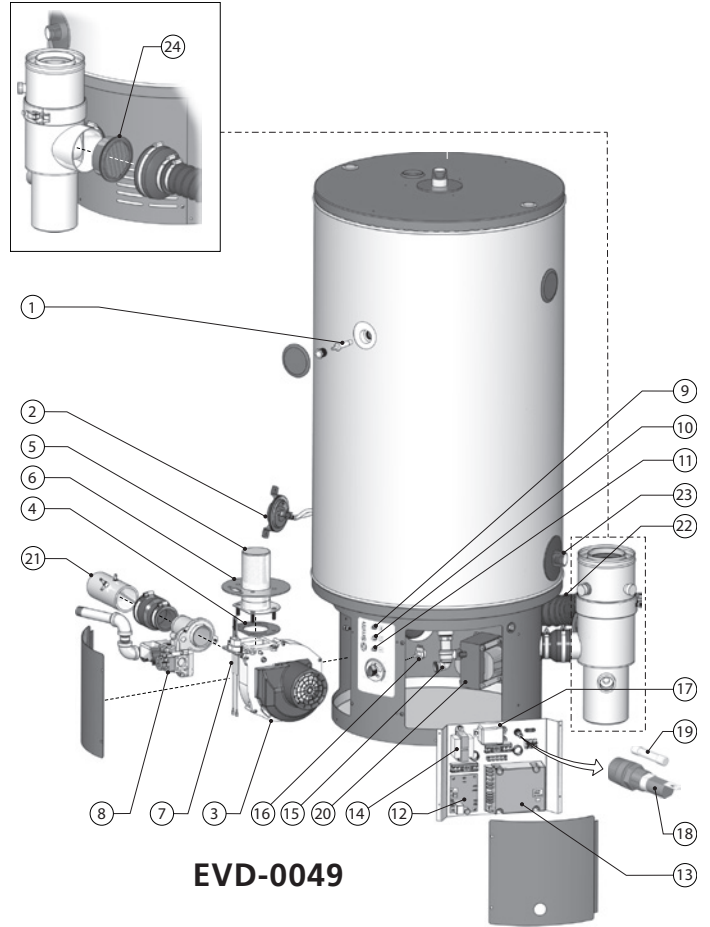


Exploded view TWI before 30-04-'19



EVD-0043



EVD-0049

TWI from 31-03-'09 until 30-04-'19

TWI parts



No.	description	date	35-130	45-190
1	Thermostat sensor/ECO		6905055(S)	6905055(S)
	Air pressure switch 700 Pa (NAT + LP)		0324302(S)	-
2	Air pressure switch 370 Pa (NAT)		-	0324512(S)
	Air pressure switch 400 PA (LP)		-	0309343(S)
3	Fan MVL RG148		n.a.	-
	Fan Ametek 150130-06		-	6903773(S)
4	Kit blower & burner gasket		6903779(S)	6903779(S)
5	Burner		6903780(S)	6903780(S)
6	Kit blower & burner gasket		6903779(S)	6903779(S)
7	Glow igniter / Hot surface igniter		6903768(S)	6903768(S)
8	Gas control		6903775(S)	6903775(S)
9	Red LED		6907307(S)	6907307(S)
10	Yellow LED		6907306(S)	6907306(S)
11	Green LED		6907305(S)	6907305(S)
12	Thermostat board		6903777(S)	6903777(S)
13	Burner control (1018-528)		-	3210536(S)
13	Burner control (1018-526)		3210457(S)	-
14	Transformer 120V-24V		6907302(S)	6907302(S)
15	Drain valve		6907316(S)	6907316(S)
16	Potentiometer		6905050(S)	6905050(S)
17	Fan insulation relais		4210293(S)	4210293(S)
18	Fuse holder		4210243(S)	4210243(S)
19	Fuse slow blow 2.5A		4210244(S)	4210244(S)
20	Transformer 230V-120V		4210300(S)	4210300(S)
21	Air supply hose		6903783(S)	6903783(S)
22	Air inlet hose		0308233(S)	0308233(S)
23	Cold water supply		6903778(S)	6903778(S)
24	Air Inlet Filter		3710169(S)	3710169(S)
25	Cable Gas Valve		0338100(S)	0338100(S)

TWI accessories

description	date	35-130	45-190
Gas cock 3/4"		0300719(S)	0300719(S)
Inlet security group G1"		0070066003(S)	0070066003(S)
T&P valve NO WRAS		0306755(S)	0306755(S)
Flow restrictor build in 3/4" - 12 l/min		0309730(S)	0309730(S)
Flow restrictor build in 3/4" - 10l/min		0309731(S)	0309731(S)
Flow restrictor build in 3/4" - 8 l/min		0309732(S)	0309732(S)
Flow restrictor build in 3/4" - 6 l/min		0309733(S)	0309733(S)
Expansion Valve		0305712(S)	0305712(S)

Parts that are marked yellow are parts that are used for maintenance.