

EQ / EQH

Gas-fired residential / light commercial water heater

EQ - 115/155/280/380

EQH - 200



Atmospheric water heater with thermal flue spillage protection and piezo ignition • Low noise level, suitable for installation in most locations • Ring base for easy installation and lower heat losses • Replaceable magnesium sacrificial anode • Safety thermostat • EQ 280/380 have access covers for waterside tank maintenance • Suitable for natural or LP gas • Optional ancillaries: Unvented kits • Destratification pump kit • Powered anode • Time clock kit • Flue fan kit • Solenoid valve kit

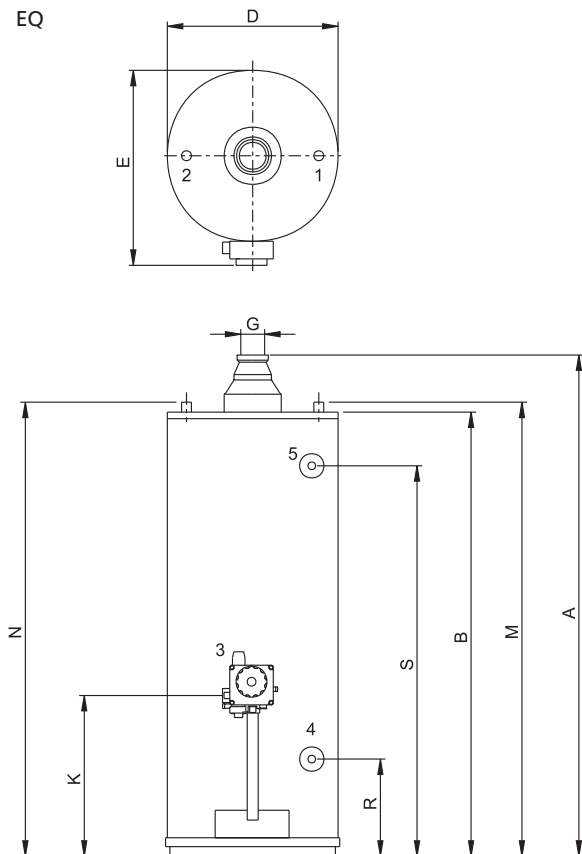
Technical specifications

		EQ 115	EQ 155	EQH 200	EQ 280	EQ 380
Gas data natural gas 2H (G20)						
Input*	kW	9.3	11.3	18.3	25.1	26.7
Output	kW	7.4	9.0	14.0	19.2	20.4
Inlet pressure	mbar	20	20	20	20	20
Gas consumption**	m ³ /h	0.9	1.1	1.7	2.4	2.5
Gas data butane 3+ (G30)						
Input*	kW	10.1	12.2	17.6	24.5	26.0
Output	kW	8.2	9.9	13.7	19.2	20.4
Inlet pressure	mbar	30	30	30	30	30
Gas consumption**	kg/h	0.7	0.9	1.3	1.8	1.9
Gas data propane 3+ (G31)						
Input*	kW	9.8	11.8	17.2	22.9	24.9
Output	kW	7.9	9.6	13.4	17.9	19.5
Inlet pressure	mbar	37	37	37	37	37
Gas consumption**	kg/h	0.7	0.8	1.2	1.6	1.8
General						
Efficiency (gross)	%	79	79	76	77	77
Weight empty	kg	47	52	75	117	144
Maximum weight	kg	156	196	256	382	499
Storage capacity	l	109	144	181	265	355
Max. temperature setting	°C	71	71	71	71	71
Maximum working pressure	kPa (bar)	800 (8)				
Draw-off capacity ***						
T _{cold} = 10°C / T _{set} = T _{max}						
30 min. ΔT=44°C	l	171	219	299	426	524
60 min. ΔT=44°C	l	243	306	435	614	723
90 min. ΔT=44°C	l	315	394	572	802	923
120 min. ΔT=44°C	l	388	482	709	989	1122
Continuous ΔT=44°C	l/h	144	175	273	375	399
Heating-up time ΔT=44°C	min.	45	49	40	42	53
30 min. ΔT=50°C	l	150	192	263	375	461
60 min. ΔT=50°C	l	214	270	383	540	637
90 min. ΔT=50°C	l	277	347	504	705	812
120 min. ΔT=50°C	l	341	424	624	871	987
Continuous ΔT=50°C	l/h	127	154	241	330	351
Heating-up time ΔT=50°C	min.	51	56	45	48	61
30 min. ΔT=55°C	l	137	175	239	341	419
60 min. ΔT=55°C	l	194	245	348	491	579
90 min. ΔT=55°C	l	252	315	458	641	738
120 min. ΔT=55°C	l	310	385	567	791	898
Continuous ΔT=55°C	l/h	116	140	219	300	319
Heating-up time ΔT=55°C	min.	57	62	50	53	67
Shipping data						
Weight incl. packaging	kg	51	57	81	135	162
Width packaging	mm	530	580	570	780	780
Height packaging	mm	1140	1250	1580	1640	1830
Depth packaging	mm	570	630	650	870	870

* Gas data on gross value

** Gas consumption at 15°C and 1013.25 mbar

Dimensions



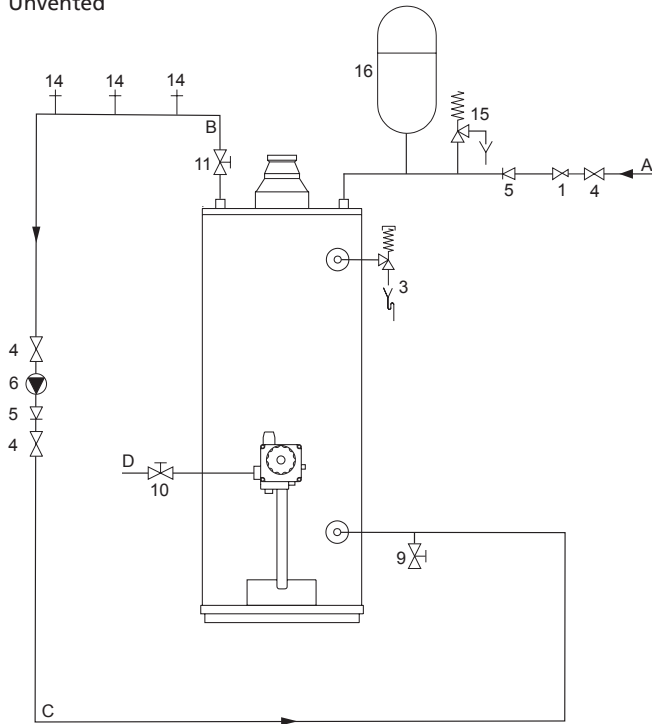
	EQ 115	EQ 155	EQH 200	EQ 280	EQ 380
A	1280	1370	1670	1585	1780
B	1120	1210	1540	1450	1640
D	465	515	515	645	675
E	545	595	605	735	765
G	80	80	100	130	130
K	325	325	380	375	375
M	1180	1270	1590	1505	1685
N	1180	1270	1590	1505	1685
R	250	250	255	285	285
S	965	1045	1380	1280	1460
1	Cold water		3/4 - 14 NPT (EQ 280: 1 -11.5 NPT) (EQ 380: 1 1/4 - 11.5 NPT)		
2	Hot water		3/4 - 14 NPT (EQ 280: 1-11.5 NPT) (EQ 380: 1 1/4 -11.5 NPT)		
3	Gas control		Rp 1/2		
4	Tank drain valve		3/4 - 14 NPT		
5	T&P valve		3/4 - 14 NPT		
Dimensions in mm.					

Ecodesign specifications

		EQ 115	EQ 155	EQH 200	EQ 280	EQ 380
Energy labeling (G20)						
Load Profil	-	L	XL	XXL	XXL	XXL
Energy labeling	-	B	B	B	C	C
Efficiency	%	61	68	61	55	51
Annual Electricity Consumption (AEC)	kWh	0	0	0	0	0
Daily Electricity Consumption	kWh	0.000	0.000	0.000	0.000	0.000
Annual Fuel Consumption (AEC)	GJ GCV	15	22	33	35	38
Daily Fuel Consumption	kWh GCV	21.370	30.653	40.513	44.969	47.754
Nitrogen Dioxide Emission (NO2)	mg/kWh GCV	191	162	143	161	193
Mixed Water of 40°C (according V40)	ltr.	172	250	346	635	926
Sound Power Level	dB	55	55	55	55	55
Other Load Profil	-	-	-	-	-	3XL
Efficiency	%	-	-	-	-	60
Annual Electricity Consumption (AEC)	kWh	-	-	-	-	0
Daily Electricity Consumption	kWh	-	-	-	-	0.000
Annual Fuel Consumption (AEC)	GJ GCV	-	-	-	-	62
Daily Fuel Consumption	kWh GCV	-	-	-	-	78.348
Nitrogen Dioxide Emission (NO2)	mg/kWh GCV	-	-	-	-	193
Mixed Water of 40°C (according V40)	ltr.	-	-	-	-	583

Installation diagrams

Unvented

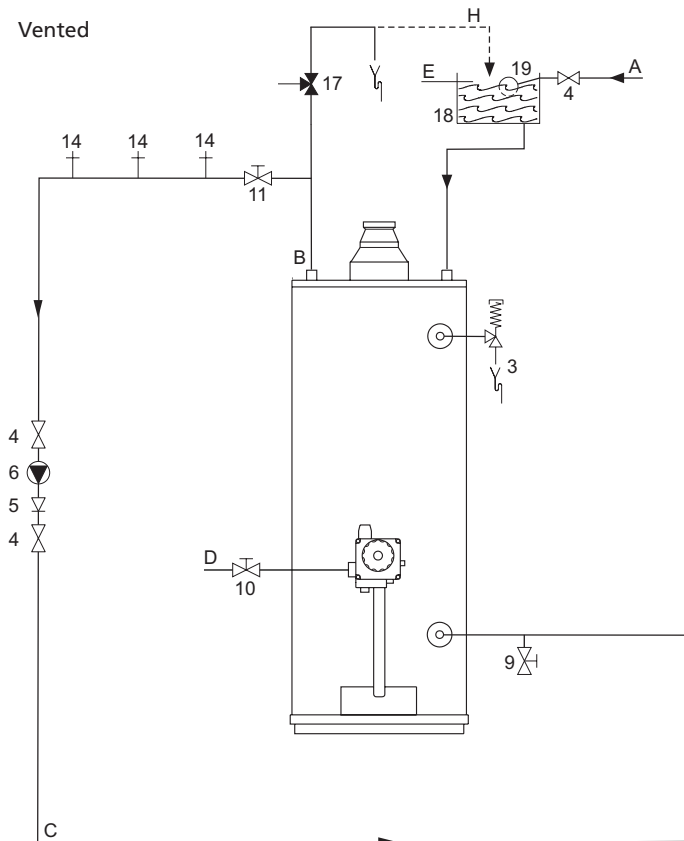


- 1 Pressure reducing valve
- 3 T&P valve
- 4 Stop valve
- 5 Non-return valve
- 6 Circulation pump
- 9 Drain valve
- 10 Gas valve
- 11 Service valve
- 14 Hot water tap
- 15 Expansion valve
- 16 Expansion vessel
- 17 Three way valve
- 18 Water cistern
- 19 Float valve

- A Cold water
 B Hot water
 C Return circulation
 D Gas supply
 E Overflow pipe
 H Expansion vent pipe

A.O. Smith unvented system kits utilise combination valves.

Vented



An EQ / EQH water heater should be installed in accordance with local standards and ventilation requirements (category B11BS).

In the instruction manual you will find all the necessary information regarding connection, installation and maintenance of the product; including information on the electrical connections.

Information regarding the recycling or disposal of the product can also be found in the manual. This manual is delivered with the appliance and can also be found on our website; www.aosmith.co.uk.